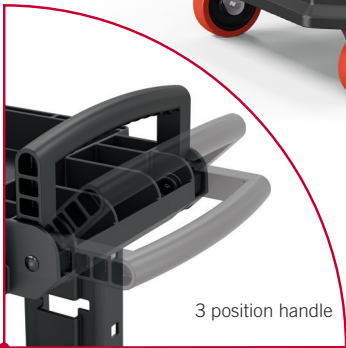


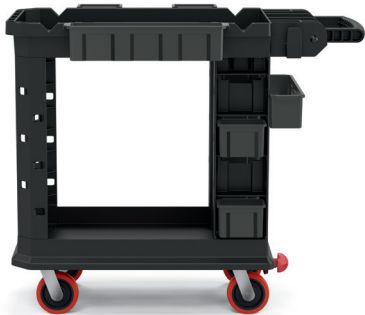
HEAVY DUTY PLUS UTILITY CART



PUCHD2645 model shown

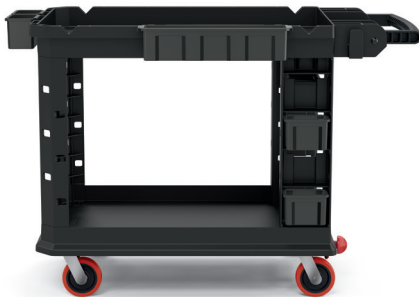


3 position handle



SIZE: 19.5" W x 41.78" L x 34.81" H
WEIGHT: 53.5 lbs

| MODEL# | CASTER | MAXIMUM CAPACITY |
|-----------|---------------------|------------------|
| PUCHD1937 | POLYURETHANE 5" RIM | 500 lbs* |



SIZE: 26.5" W x 48.78" L x 34.81" H
WEIGHT: 62.95 lbs

| MODEL# | CASTER | MAXIMUM CAPACITY |
|-----------|---------------------|------------------|
| PUCHD2645 | POLYURETHANE 5" RIM | 500 lbs* |

*CAPACITY: 250 lbs per shelf.

360° ADJUSTABLE CASTER SYSTEM



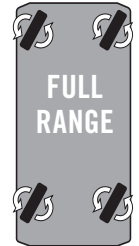
Innovative caster system allows for a fixed front caster mode, which keeps the utility cart straight when desired, or full-range 360° movement.

FIXED

Slide lever to the left for traditional fixed positioning.

FULL-RANGE

Slide lever to the right for full-range 360° maneuvering.



KEY FEATURES CUSTOMIZABLE BIN SYSTEM



- Optimize storage strategies with 6 movable bins
- Bins sit securely in grooves or the upper utility rail of the cart

UTILITY SIDE RAIL



- Rail on outer edge of top platform provides more storage solutions
- Bins fit securely in rail for more versatile storage options

DURABLE WHEELS



- Durable polyurethane-coated wheels for a smooth, non-marring quiet ride
- Polyolefin core
- Stronger than our leading competitor



PUCHD2645 model shown

OPTIONAL ACCESSORIES*



CUSTOMIZABLE BIN SYSTEM

SMALL BIN SIZE: 3.98" W x 5.63" L x 3.90" H
LARGE BIN SIZE: 4.38" W x 18.44" L x 3.90" H

| MODEL# | PUCBIN6 |
|--------|---------|
| | |

- Included on models: PUCHD1937, PUCHD2645, PUCPN1937, PUCPN2645 and PUCPN2654
- Compatible on all Suncast Commercial utility carts



UTILITY BIN

SIZE: 12.78" W x 17.21" L x 10.63" H

| MODEL# | CAPACITY |
|----------|-----------|
| BIN17102 | 4 GALLONS |

- Compatible on all Suncast Commercial utility carts, all 1/2 and 3/4 cubic yard model tilt trucks and all Suncast Commercial service carts



WASTE BIN

SIZE: 12.78" W x 17.21" L x 22.13" H

| MODEL# | CAPACITY |
|----------|-----------|
| BIN17222 | 8 GALLONS |

- Compatible on all Suncast Commercial utility carts, all 1/2 and 3/4 cubic yard model tilt trucks and all Suncast Commercial service carts



CART SHIELD PANELS

| | |
|--------|-----------|
| MODEL# | PUCCS1937 |
| MODEL# | PUCCS2645 |

PUCCS1937 COMPATIBILITY:
PUCSD1937
PUCHD1937

PUCCS2645 COMPATIBILITY:
PUCSD2645
PUCHD2645



*Optional accessories sold separately.